

HIGH EAVE (PARAPET)

DI0010 - HIGH EAVE PARAPET with WALL PANEL ABOVE

DI0050 - HIGH EAVE PARAPET with WALL PANEL ABOVE & BELOW

DI0090 - HIGH EAVE PARAPET at MASONRY WALL

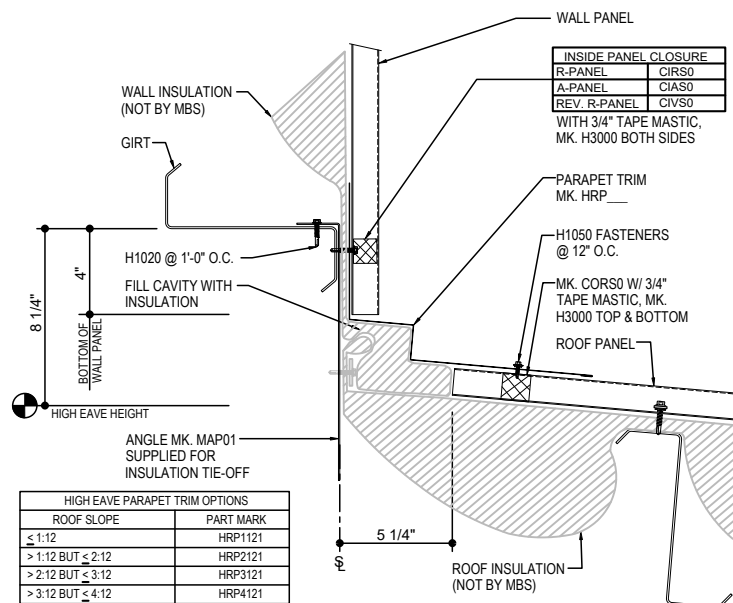
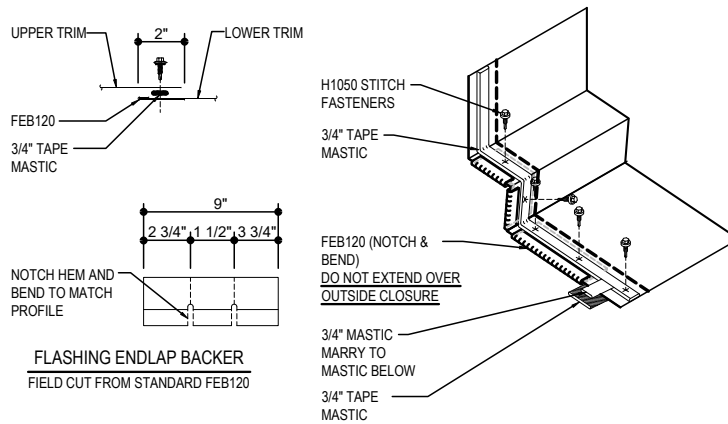
DI0130 - HIGH EAVE NON-STRUCTURAL PARAPET

DI0010 - HIGH EAVE PARAPET w/ WALL PANEL ABOVE

[Download the DWG file by clicking here.](#)

HIGH EAVE LAP & FLASHING BACKER

SLIDE FIELD CUT SECTION FLASHING ENDLAP BACKER ONTO THE LOWER TRIM PIECE. PLACE TAPE MASTIC NEXT TO HEM OF THE BACKER (NOT ON TOP OF HEM). APPLY CONTINUOUS BEAD OF CAULK 1" FROM END OF TRIM DOWN PROFILE OF TRIM. FASTEN LAP WITH STITCH FASTENERS AND POP RIVETS AS SHOWN.



ERECTOR NOTE:

INSULATION TIE-OFF SHOWN IS ONE METHOD. MAY REQUIRE DIFFERENT METHOD BASED ON SEQUENCE. H1020 FASTENERS (PURLINS) & H1070 FASTENERS (JOISTS) WITH H2200 INSULATION WASHERS HAVE BEEN SUPPLIED 12" O.C. FOR INSULATION ATTACHMENT

HIGH EAVE PARAPET DETAIL

R-Panel ROOF @ HIGH EAVE PARAPET DETAIL w/ WALL PANEL ABOVE
SEE WALL SHEETING ERECTION NOTES FOR WALL PANEL FASTENER LOCATIONS

DI0010

Detailer Notes:

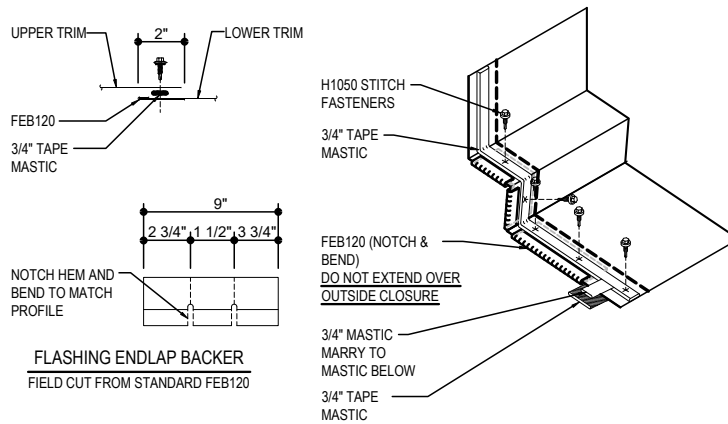
- 1) INSIDE WALL PANEL CLOSURES ARE ALWAYS PROVIDED AS A STANDARD.

DI0050 - HIGH EAVE PARAPET w/ WALL PANEL ABOVE & BELOW

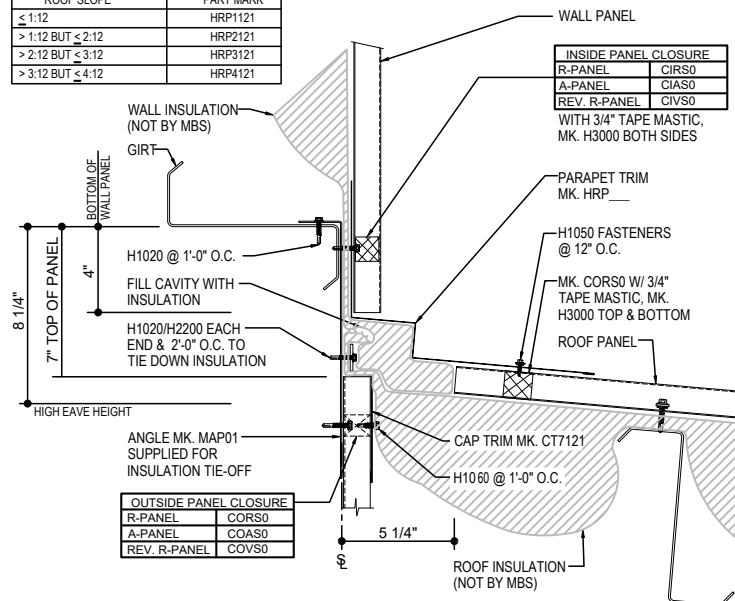
[Download the DWG file by clicking here.](#)

HIGH EAVE LAP & FLASHING BACKER

SLIDE FIELD CUT SECTION FLASHING ENDLAP BACKER ONTO THE LOWER TRIM PIECE. PLACE TAPE MASTIC NEXT TO HEM OF THE BACKER (NOT ON TOP OF HEM). APPLY CONTINUOUS BEAD OF CAULK 1" FROM END OF TRIM DOWN PROFILE OF TRIM. FASTEN LAP WITH STITCH FASTENERS AND POP RIVETS AS SHOWN.



HIGH EAVE PARAPET TRIM OPTIONS	
ROOF SLOPE	PART MARK
≤ 1:12	HRP1121
> 1:12 BUT < 2:12	HRP2121
> 2:12 BUT < 3:12	HRP3121
> 3:12 BUT < 4:12	HRP4121



ERECTOR NOTE:

INSULATION TIE-OFF SHOWN IS ONE METHOD. MAY REQUIRE DIFFERENT METHOD BASED ON SEQUENCE. H1020 FASTENERS (PURLINS) & H1070 FASTENERS (JOISTS) WITH H2200 INSULATION WASHERS HAVE BEEN SUPPLIED 12" O.C. FOR INSULATION ATTACHMENT

HIGH EAVE PARAPET DETAIL

R-Panel ROOF @ HIGH EAVE PARAPET DETAIL w/ WALL PANEL ABOVE & BELOW
SEE WALL SHEETING ERECTION NOTES FOR WALL PANEL FASTENER LOCATIONS

DI0050

Detailer Notes:

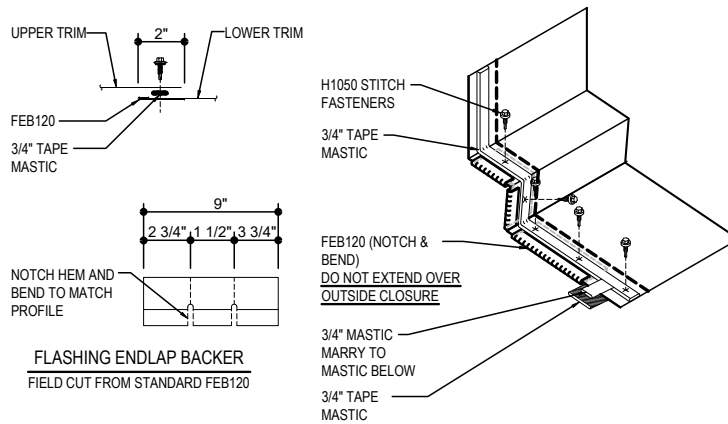
- 1) INSIDE WALL PANEL CLOSURES ARE ALWAYS PROVIDED AS A STANDARD.
- 2) OUTSIDE PANEL CLOSURES ARE OPTIONAL, TURN OFF OUTSIDE CLOSURE LAYER IF NOT REQUIRED.

DI0090- HIGH EAVE PARAPET at MASONRY WALL

[Download the DWG file by clicking here.](#)

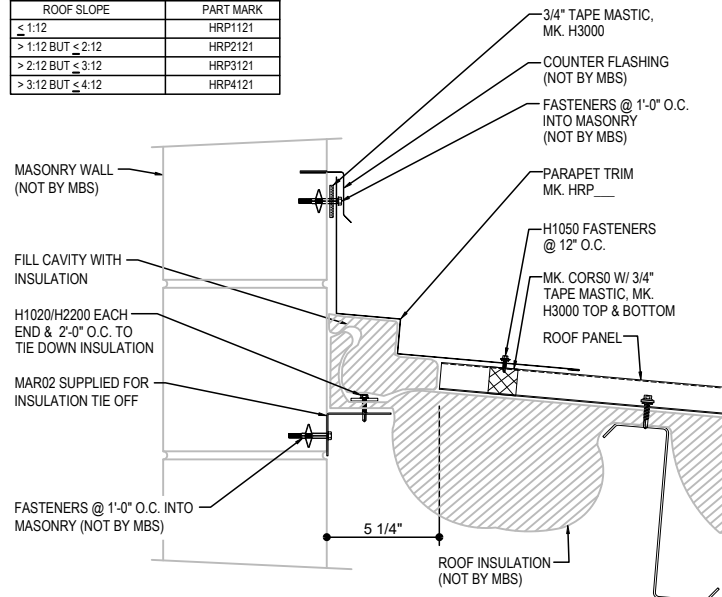
HIGH EAVE LAP & FLASHING BACKER

SLIDE FIELD CUT SECTION FLASHING ENDLAP BACKER ONTO THE LOWER TRIM PIECE. PLACE TAPE MASTIC NEXT TO HEM OF THE BACKER (NOT ON TOP OF HEM). APPLY CONTINUOUS BEAD OF CAULK 1" FROM END OF TRIM DOWN PROFILE OF TRIM. FASTEN LAP WITH STITCH FASTENERS AND POP RIVETS AS SHOWN.



FLASHING ENDLAP BACKER
FIELD CUT FROM STANDARD FEB120

HIGH EAVE PARAPET TRIM OPTIONS	
ROOF SLOPE	PART MARK
< 1:12	HRP1121
> 1:12 BUT < 2:12	HRP2121
> 2:12 BUT < 3:12	HRP3121
> 3:12 BUT < 4:12	HRP4121



ERECTOR NOTE:

INSULATION TIE-OFF SHOWN IS ONE METHOD. MAY REQUIRE DIFFERENT METHOD BASED ON SEQUENCE. H1020 FASTENERS (PURLINS) & H1070 FASTENERS (JOISTS) WITH H2200 INSULATION WASHERS HAVE BEEN SUPPLIED 12" O.C. FOR INSULATION ATTACHMENT

HIGH EAVE PARAPET DETAIL

R-Panel ROOF @ HIGH EAVE PARAPET DETAIL w/ MASONRY WALL

DI0090

Detailer Notes:

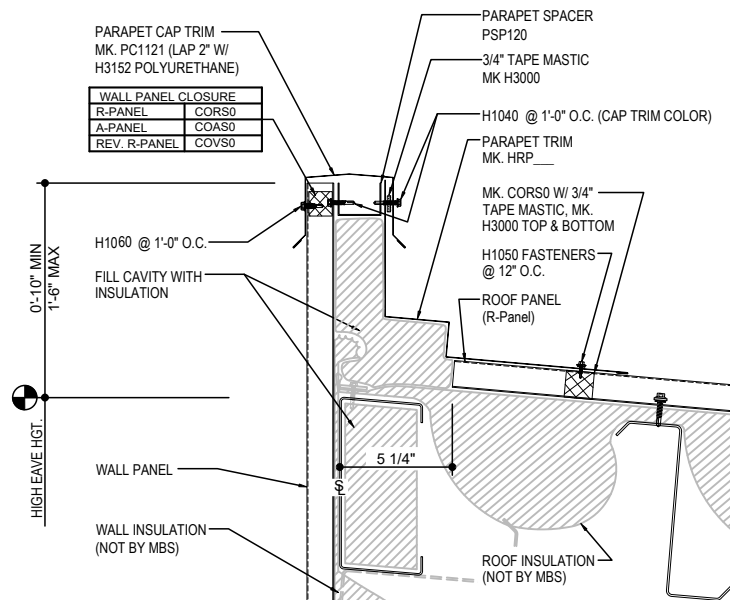
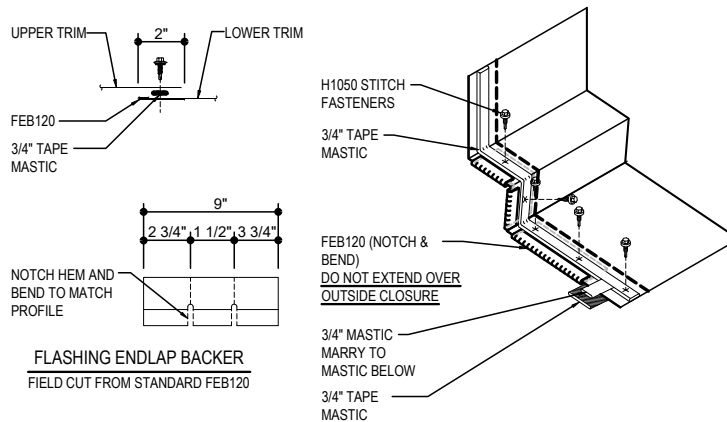
- 1) N/A

DI0130 - HIGH EAVE NON-STRUCTURAL PARAPET

[Download the DWG file by clicking here.](#)

HIGH EAVE LAP & FLASHING BACKER

SLIDE FIELD CUT SECTION FLASHING ENDLAP BACKER ONTO THE LOWER TRIM PIECE. PLACE TAPE MASTIC NEXT TO HEM OF THE BACKER (NOT ON TOP OF HEM). APPLY CONTINUOUS BEAD OF CAULK 1" FROM END OF TRIM DOWN PROFILE OF TRIM. FASTEN LAP WITH STITCH FASTENERS AND POP RIVETS AS SHOWN.



ERECTOR NOTE:

INSULATION TIE-OFF SHOWN IS ONE METHOD. MAY REQUIRE DIFFERENT METHOD BASED ON SEQUENCE. H1020 FASTENERS (PURLINS) & H1070 FASTENERS (JOISTS) WITH H2200 INSULATION WASHERS HAVE BEEN SUPPLIED 12" O.C. FOR INSULATION ATTACHMENT

HIGH EAVE NON-STRUCTURAL PARAPET

R-Panel ROOF HIGH EAVE NON-STRUCTURAL PARAPET DETAIL w/ WALL PANEL
SEE WALL SHEETING ERECTION NOTES FOR WALL PANEL FASTENER LOCATIONS

DI0130

Detailer Notes:

- 1) OUTSIDE PANEL CLOSURES ARE OPTIONAL, TURN OFF OUTSIDE CLOSURE LAYER IF NOT REQUIRED.